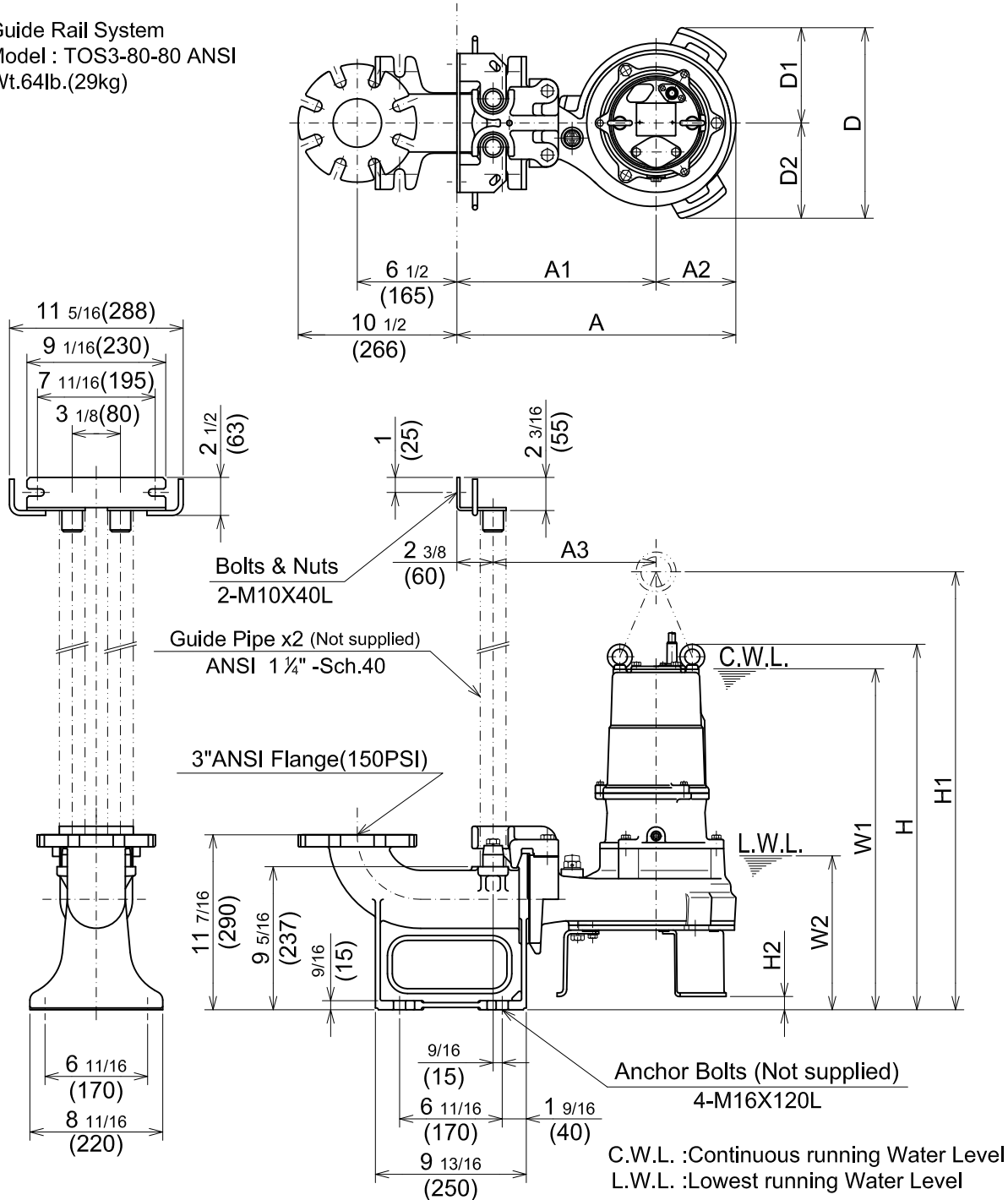


TOS80C41.5-CR -63

Guide Rail System
Model : TOS3-80-80 ANSI
Wt.64lb.(29kg)



C.W.L. :Continuous running Water Level
L.W.L. :Lowest running Water Level

DIMENSIONS:USCS(Inch)

Model	HP	NOM. SIZE	Pump & Motor									C.W.L.	L.W.L.	*Wt. (lbs.)	
			A	A1	A2	A3	D	D1	D2	H	H1				H2
TOS80C41.5-CR -63	2	3"	18 3/16	13	5 3/16	10 5/8	12 7/16	6 1/4	6 1/4	23 7/8	28 5/8	7/8	22 1/4	10	112

DIMENSIONS:METRIC(mm)

Model	kW	NOM. SIZE	Pump & Motor									C.W.L.	L.W.L.	*Wt. (kg)	
			A	A1	A2	A3	D	D1	D2	H	H1				H2
TOS80C41.5-CR -63	1.5	80	462	330	132	270	316	158	158	606	726	22	565	255	51

*Excluding TOS & Cable.